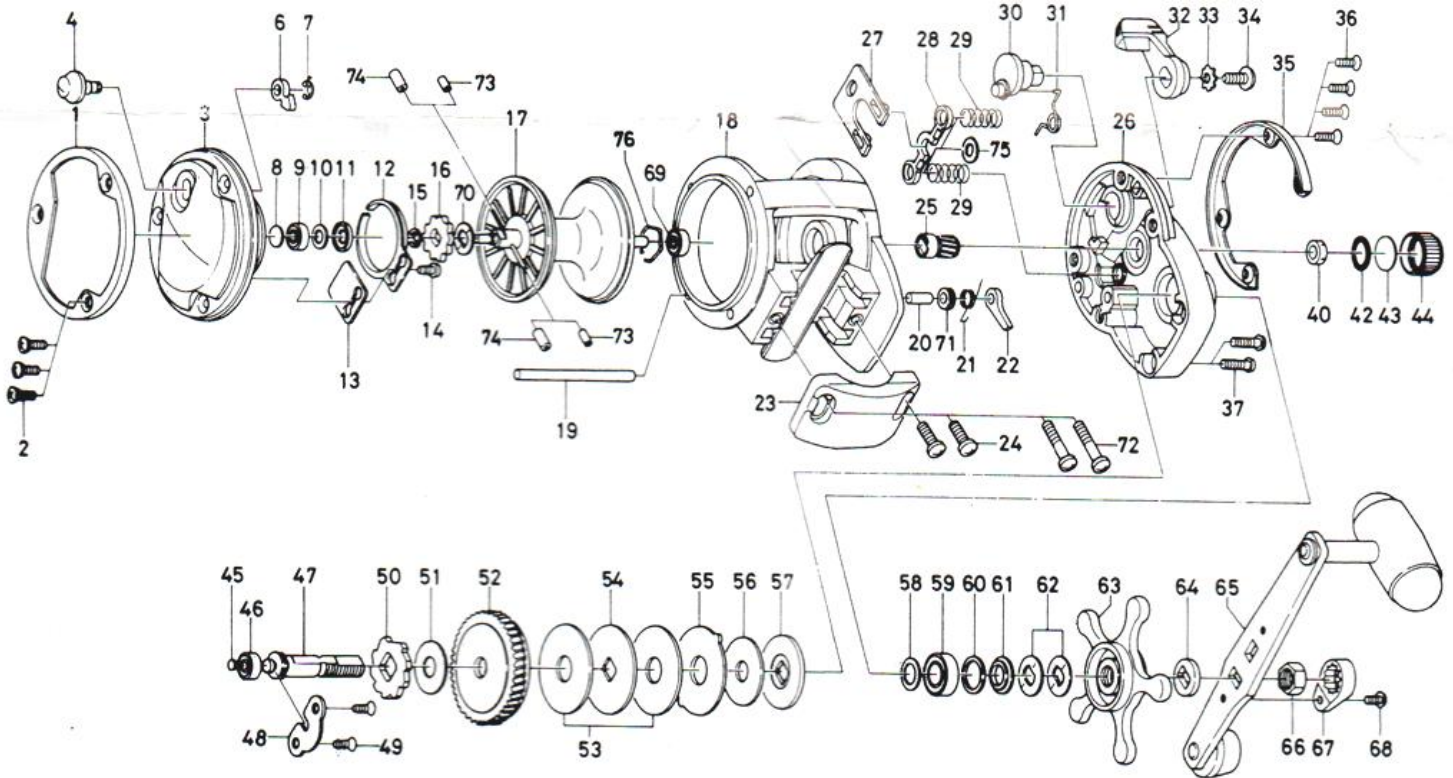


## MULTIPLYING REEL SEALINE 20SH/20SH-A/30SH



- 6-Z00-2892 Extra spool (20SH/SH-A)  
6-Z00-2611 Extra spool (30SH)

Key No.	Parts No.	Parts Name
1	6-E31-8201	Left side outer ring
2	6-F09-3601	Left side plate screw
3	6-E34-5208	Left side plate
4	6-E36-1301	Click button
6	6-030-6612	Click pawl
7	6-320-1402	Click pawl retainer
8	6-375-7405	Spacer
9	6-637-4601	Ball bearing A
10	6-E32-6601	Bearing washer A
11	6-E31-8001	Ball bearing collar A
12	6-160-7922	Click spring
13	6-E36-1201	Click spring retainer
14	6-B83-4402	Click spring screw
15	6-320-1402	Click gear retainer
16	6-B21-6701	Click gear
17	6-E51-4301	Spool assembly
18	6-E52-7805	Frame assembly
19	6-E31-6001	Stabilizer bar
20	6-E25-2301	Anti-reverse pawl pin
21	6-E31-6502	Anti-reverse pawl spring
22	6-E31-6401	Anti-reverse pawl
23	6-E31-8301	Rod clamp
24	6-E31-8401	Clamp bolt A
25	6-E31-6201	Pinion gear
26	6-E51-0913	Right side plate
27	6-E31-6101	Yoke plate
28	6-E36-1101	Yoke
29	6-E33-5301	Yoke spring
30	6-E31-5501	Clutch cam
31	6-F02-0301	Clutch spring
32	6-E24-9803	Clutch lever
33	6-160-8001	Clutch lever lock washer
34	6-E00-7602	Clutch lever screw
35	6-E31-7301	Right side outer ring
36	6-F09-3601	Right side plate screw A
37	6-B00-9702	Right side plate screw B
40	6-B54-6401	Bushing A
42	6-B05-5201	"O" ring
43	6-375-7501	Spacer A
44	6-E31-5401	Cast control cap

Key No.	Parts No.	Parts Name
45	6-B12-0201	Drive shaft washer A
46	6-B35-8605	Ball bearing B
47	6-E31-6601	Drive shaft
48	6-E19-9401	Drive shaft retainer
49	6-E31-6701	Drive shaft retainer screw
50	6-E25-2903	Anti-reverse ratchet
51	6-374-6604	Drive shaft washer B
52	6-E31-6801	Drive gear
53	6-E31-6901	Drag washer A
54	6-E31-7001	Key washer A
55	6-E31-7101	Eared washer
56	6-E32-6501	Drag washer B
57	6-E31-7201	Key washer B
58	6-373-7807	Bearing washer B
59	6-B62-8601	Ball bearing C
60	6-B68-4402	Bearing washer C
61	6-E25-3301	Ball bearing collar B
62	6-E25-3501	Drag spring washer
63	6-E25-3602	Star drag
64	6-E25-3901	Spacing sleeve
65	6-E17-5504	Handle assembly
66	6-B86-2101	Handle nut
67	6-B86-2301	Handle nut plate
68	6-352-2503	Handle nut plate screw
69	6-F21-6101	Ball bearing D
70	6-E36-1402	Click spring washer
71	6-F00-8001	Spring holder
73	6-B35-2701	Brake collar A
74	6-B35-2901	Brake collar B
75	6-E03-7706	Yoke washer
76	6-B35-8701	Bearing retainer

### Sealine 20SH-A Special Parts

3	6-E34-5209	Left side plate
18	6-E52-7804	Frame assembly
26	6-E51-0905	Right side plate
46	6-B55-0301	Bushing B
72	6-E34-4401	Clamp bolt B

### Sealine 30SH Special Parts

3	6-E34-5210	Left side plate
17	6-E40-4902	Spool assembly
18	6-E40-4805	Frame assembly
19	6-E40-4601	Stabilizer bar